

shopdisplaysystems

VF2C: Lite Carrier Bag Stand in case

Upright posts on weighted bases with 200mm long hangers.

Stands ideal for use at exhibitions, at shows or in shops.

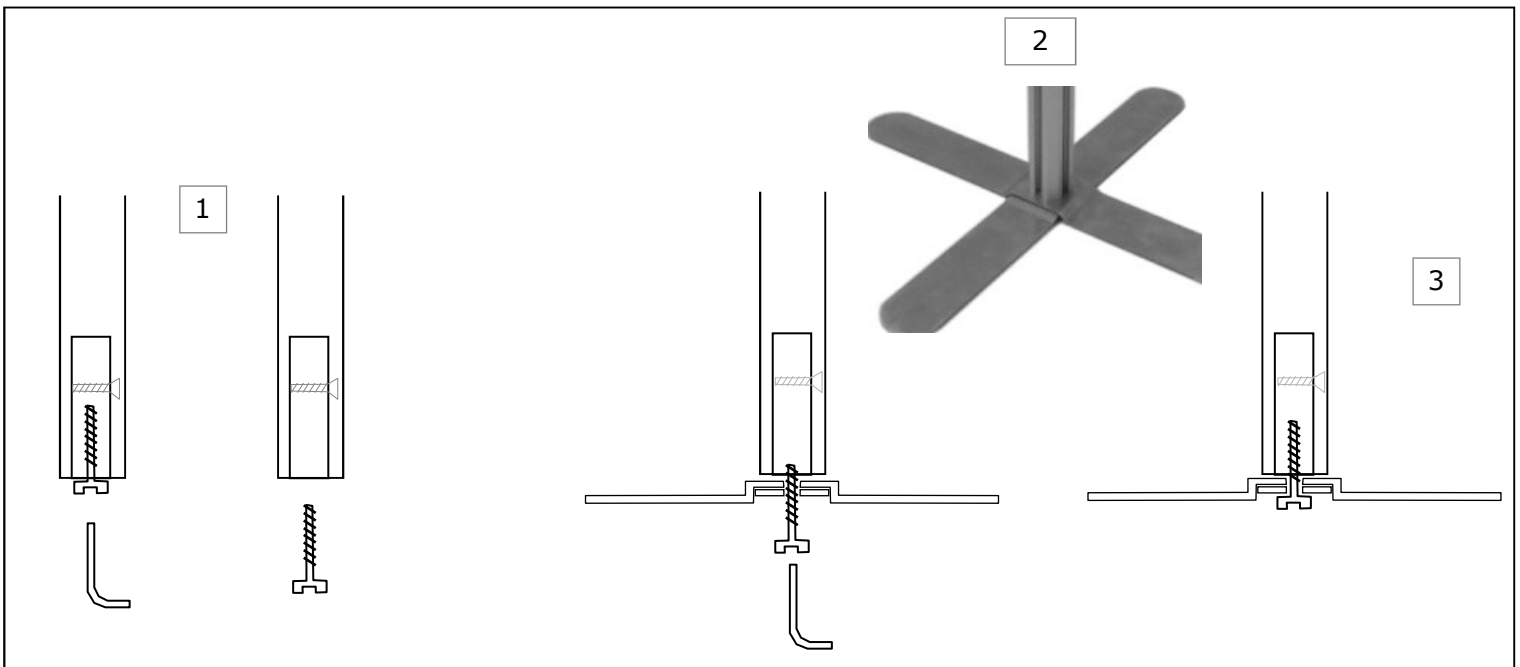
Popularly used to display hanging merchandise and goods as well as carrier bags.

<u>COMPONENT LIST</u>	Per display:
Anodised aluminium post - rounded octagonal cross-section 32mm, 4 channels (FOR SPLIT POST, FIRST JOIN USING PLATES PROVIDED as shown on page 3)	1
Set of 2 items (*NOT IDENTICAL*) to make 'cross' style base - each 400x50mm (8mm s/steel)	1
Spigot (to fix post to base - already fixed inside base of post)	1
Plastic end cap (to fix to top of post)	1
Hanger—stainless steel bar, 6mm diameter, 200mm long. Domed one end, threaded the other	As specified
2-part fixing - brass 'inner' to slide into channel, nickel-plated brass 'outer' to screw over 'inner' (and tighten to hold in position) and with female thread to accept threaded s/s bar	1 per bar
Bar end stop - nickel-plated brass	1 per bar
Plastic carry tube / case	1

ASSEMBLY INSTRUCTIONS

FIX BASE(S) TO POST(S)

1. Remove all items from case, then remove the bolt from the bottom of the fixing block using the allen key provided
2. Position the 2 parts of the 'cross' base as shown, with the part with the lower rise underneath, so that the two parts together form a level and stable platform. This leaves a gap underneath to accommodate the head of the screw from the bolt.
3. Push the bolt through the appropriate holes in the base plates from the underside, and screw tightly back into the fixing block



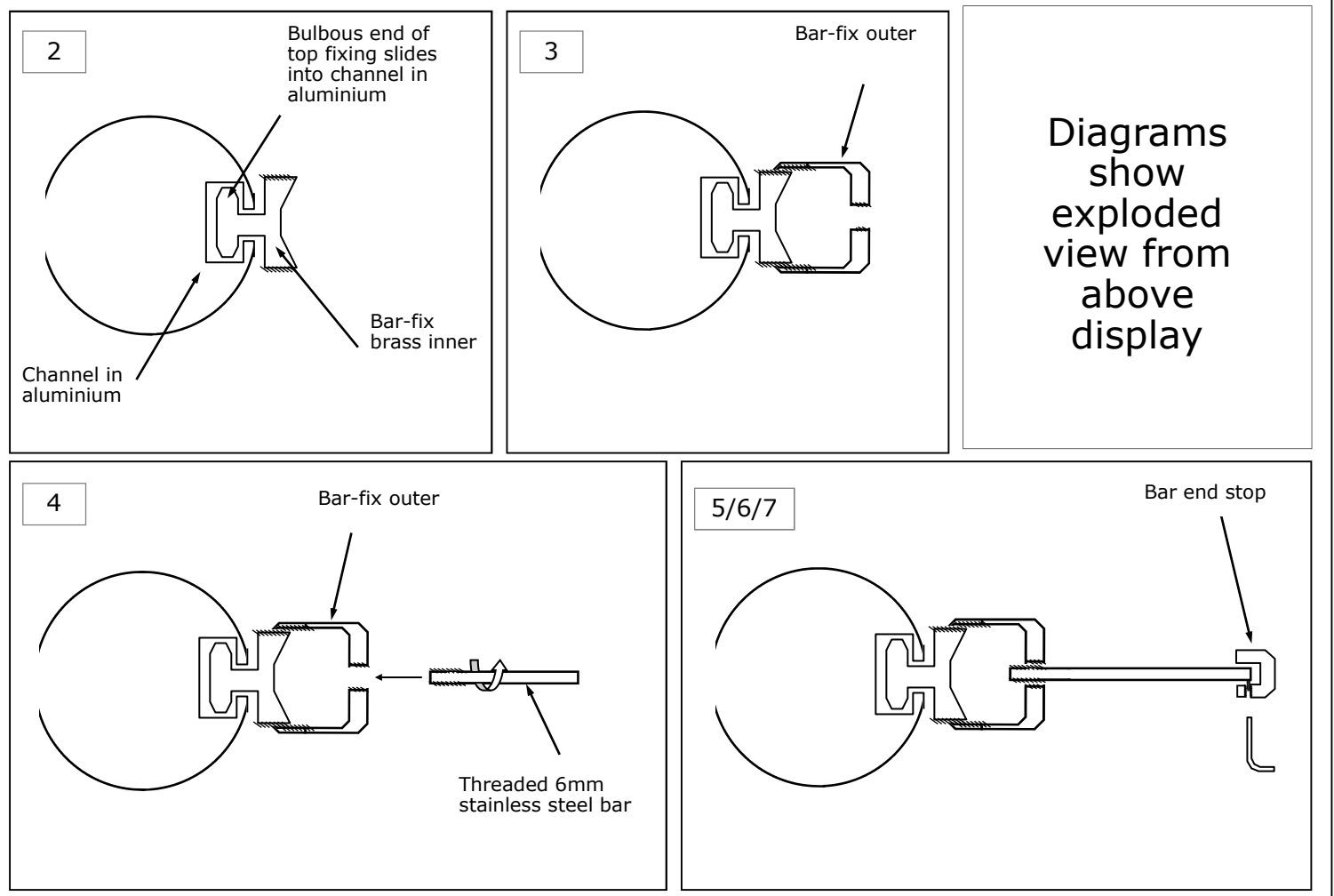
shopdisplaysystems

ASSEMBLY INSTRUCTIONS

FIX BARS TO POST

FOR EACH HANGER:

1. LOOSELY screw bar-fix outer (nickel-plated) and inner (brass) fixing together
2. Holding bar-fix outer, slide inner fixing into channel in post (from the top)
3. Holding fixing in the desired position, screw bar-fix outer TIGHTLY on to inner, until it grips firmly and holds in place.
4. Screw threaded stainless steel bar tightly into bar-fix fitting.
5. Loosen grub screw in bar end stop using small allen key supplied.
6. Push bar end stop fully on to end of bar (with grub screw out of sight underneath gives the best look).
7. Tighten grub screw on to bar to hold end stop securely in place



shopdisplaysystems

