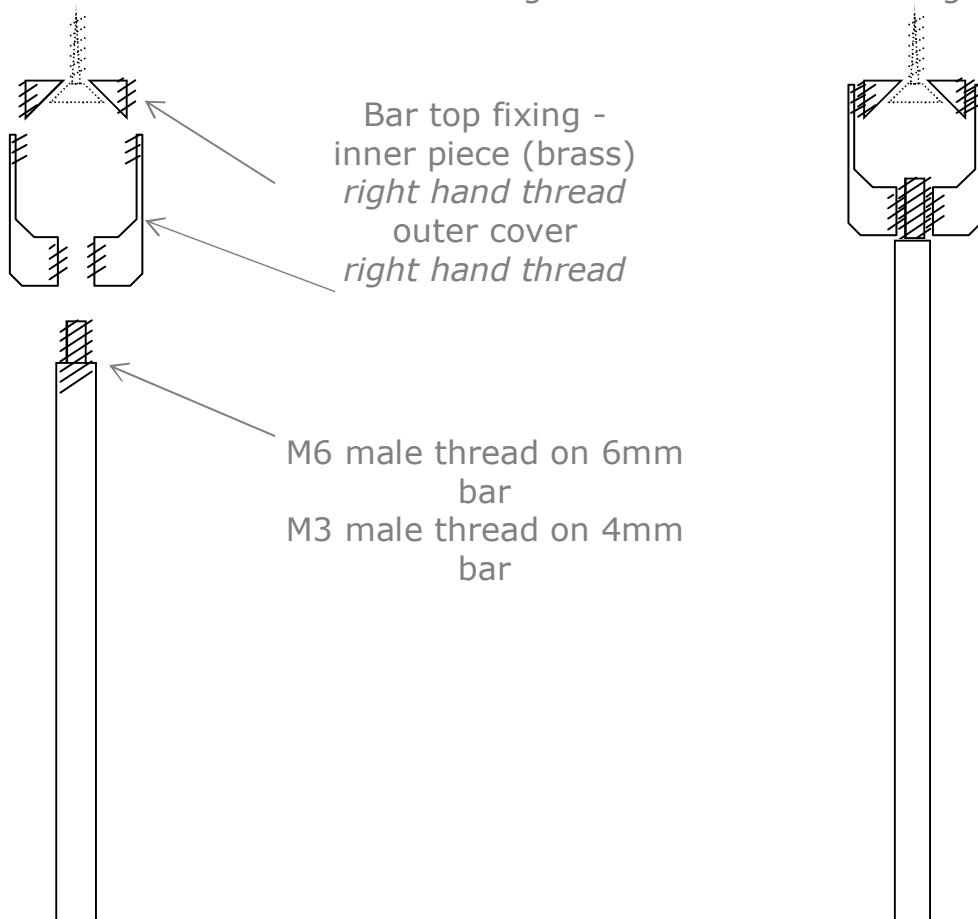


PS5A: Single columns of poster holders ceiling-suspended on bars

FIXING INSTRUCTIONS - CEILING-SUSPENDED BARS

Screw into ceiling using appropriate fixings for ceiling material
(fixings not supplied - choose appropriate)

NOTE that all weight of a suspended display is supported by the top fixings, which therefore need to be firm fixings into a substantial ceiling.



1. Mark the required positions of the bar top fixings on the ceiling. The table on page 2 shows the bar centres required for the different standard sizes of poster holders for both 4mm and 6mm diameter stainless steel bars.

For each bar:

2. Fix the brass inner top fixing to the ceiling in its marked position using appropriate fixings (not supplied).
3. Screw the outer top fixing on to the inner top fixing.

(Repeat steps 2 - 3 until all bars have been fitted).

PS5A: Single columns of poster holders ceiling-suspended on bars

FIXING INSTRUCTIONS - CLAMP-ON POSTER HOLDERS

FIX HOLDERS TO BARS:

For each poster holder:

1. Use the allen key provided to loosen the grub screws in the wide slot in each clamp so that the acrylic holder can be positioned in the slot.
2. Position the holder between the bars (already fixed in position) and slide the clamps (already on the bars) so that two clamps on each side can be fixed to the holder. Fix by re-tightening the grub screws when clamps are in the desired positions on the holder.
3. Slide the holder to its required position on the bars and tighten the clamps in position on one side.
4. Use a spirit level to ensure that the holder is horizontal, then tighten the grub screws on the other side.

BAR CENTRES FOR SUSPENDED POSTER HOLDERS

POSTER HOLDER SIZE	A5 landscape A4 portrait	A4 landscape A3 portrait	A3 landscape A2 portrait	A2 landscape A1 portrait	A1 landscape A0 portrait	Double A4 portrait	Triple A4 portrait	Double A4 landscape Double A3 portrait	20"x30" portrait	20"x30" landscape 30"x40" portrait
WIDTH OF POSTER	210mm	297mm	420mm	594mm	841mm	2x 210mm (12mm gap between)	3x 210mm (12mm gaps between)	2x 297mm (12mm gap between)	508mm (20")	762mm (30")
WIDTH OF HOLDER	234mm	321mm	444mm	618mm	865mm	456mm	678mm	630mm	532mm	786mm
CENTRES FOR 4mm BARS	242mm	329mm	452mm	626mm	873mm	464mm	686mm	638mm	540mm	794mm
CENTRES FOR 6mm BARS	244mm	331mm	454mm	628mm	875mm	466mm	688mm	640mm	542mm	796mm