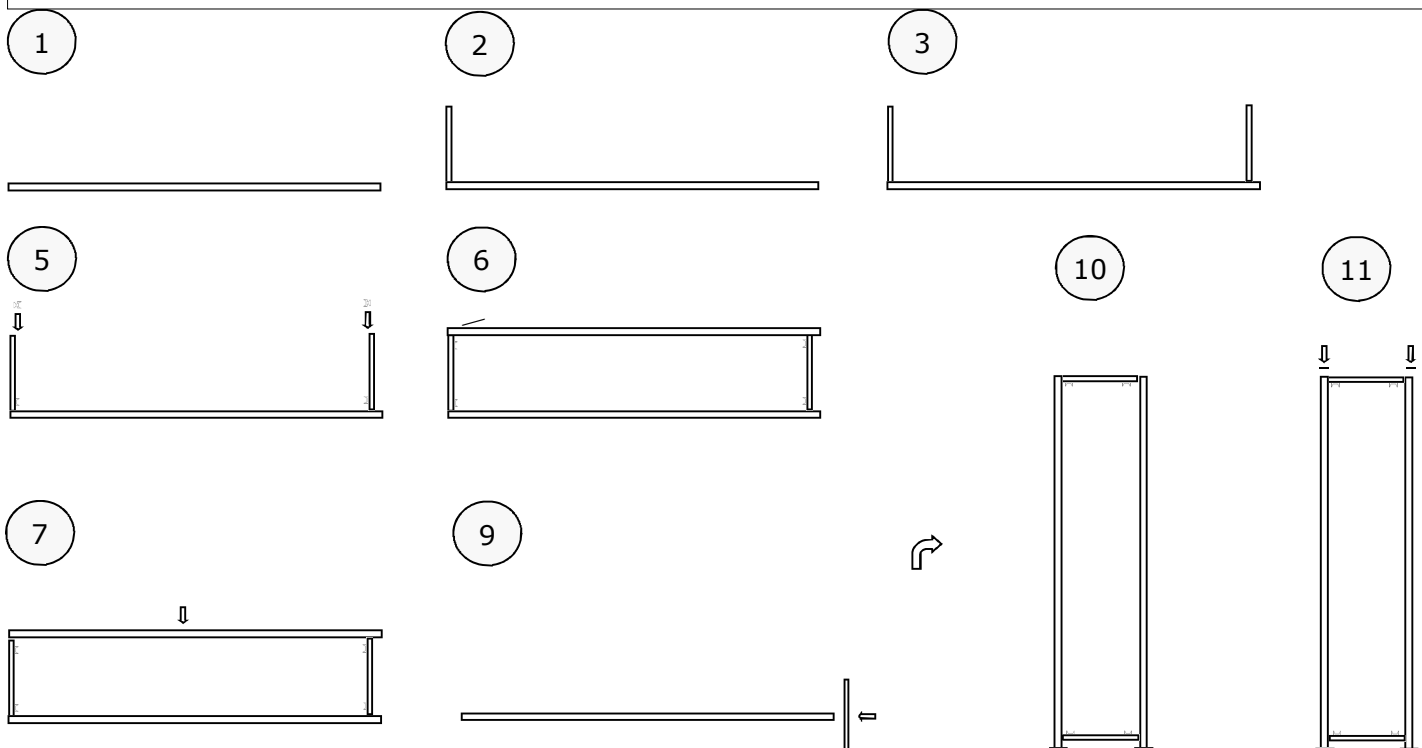


PF2: Free standing frames with suspended 'snap' frames

FIXING INSTRUCTIONS - FRAME FOR SUSPENDED WIRES

(NOTE: Assembly is simpler with 2 people!)

1. Lay one aluminium post horizontally on a flat surface with one of the channels up-most.
2. Fix one aluminium cross-bar (see page 2) at one end of the post (the top).
3. Fix the second aluminium cross-bar towards the other end of the post (the bottom) - exact position as desired.
4. Unscrew the brass inner parts from the quick-fix top and bottom fixings of the wires.
5. Slide the brass quick-fix inner top & bottom fixings (which are the same) into the top and bottom aluminium channels (ready to fix the wires to).
6. Place the second post in position, (ensuring that the cross-bars are the same distance from the top & bottom of the second post as on the first)
7. Tighten the cross-bar locks to hold securely in position
8. Lay the frame down.
9. Fix the base (or bases) to the posts (see page 2).
10. Stand display up
11. Push end caps into tops of posts.

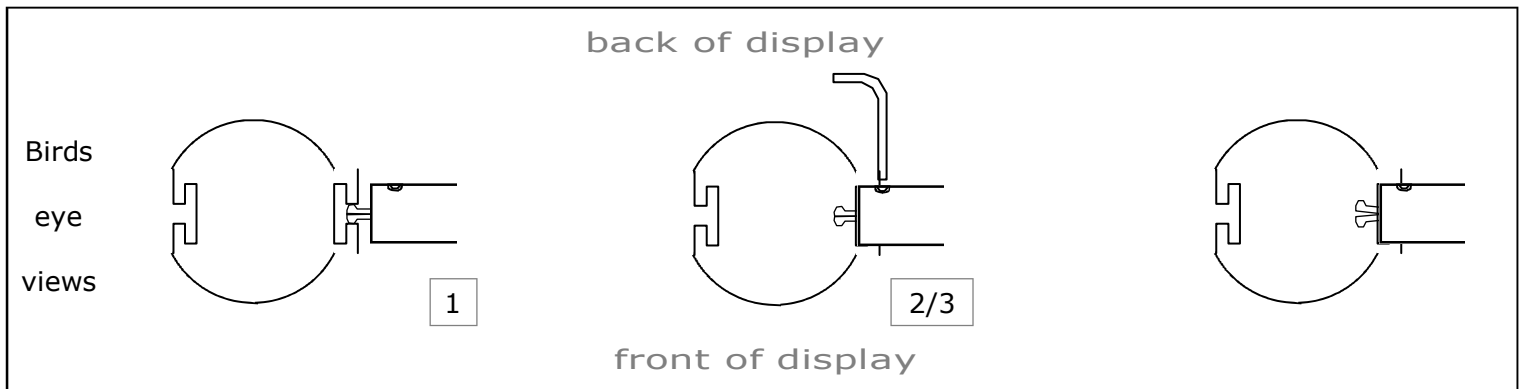


PF2: Free standing frames with suspended 'snap' frames

FIXING INSTRUCTIONS - FRAME

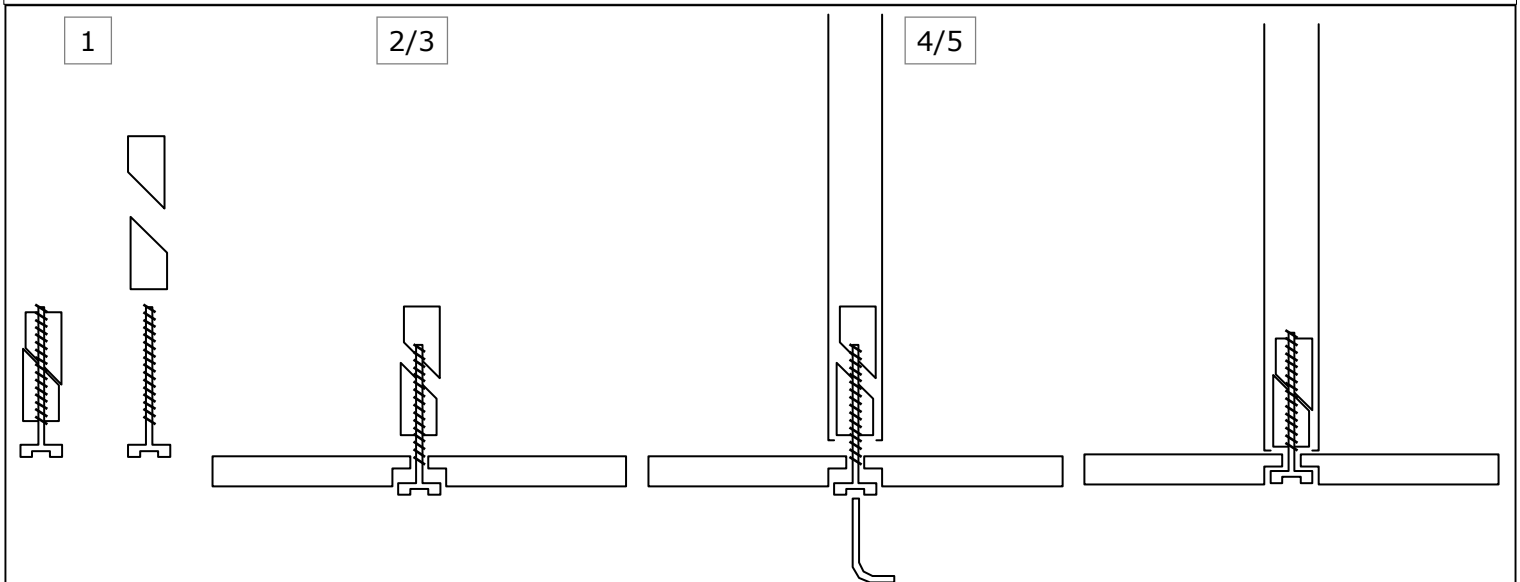
FIX CROSS-BAR TO POST

1. Ensure that parts of lock in end of cross-bar are 'together'
2. Position lock in post so that cross-bar is in desired position
3. Use allen key to tighten lock so that lock opens and cross-bar is held securely in place



FIX BASES TO POSTS

1. Undo spigot (remove bolt)
2. Put bolt through weighted base plate from underside
3. Part-screw rectangular fitting (comes split diagonally into two parts) back on to bolt
4. Place rectangular part of fitting inside base of post (opposite end to angled plate)
5. Tighten bolt using large allen key supplied (to lock post securely to base).

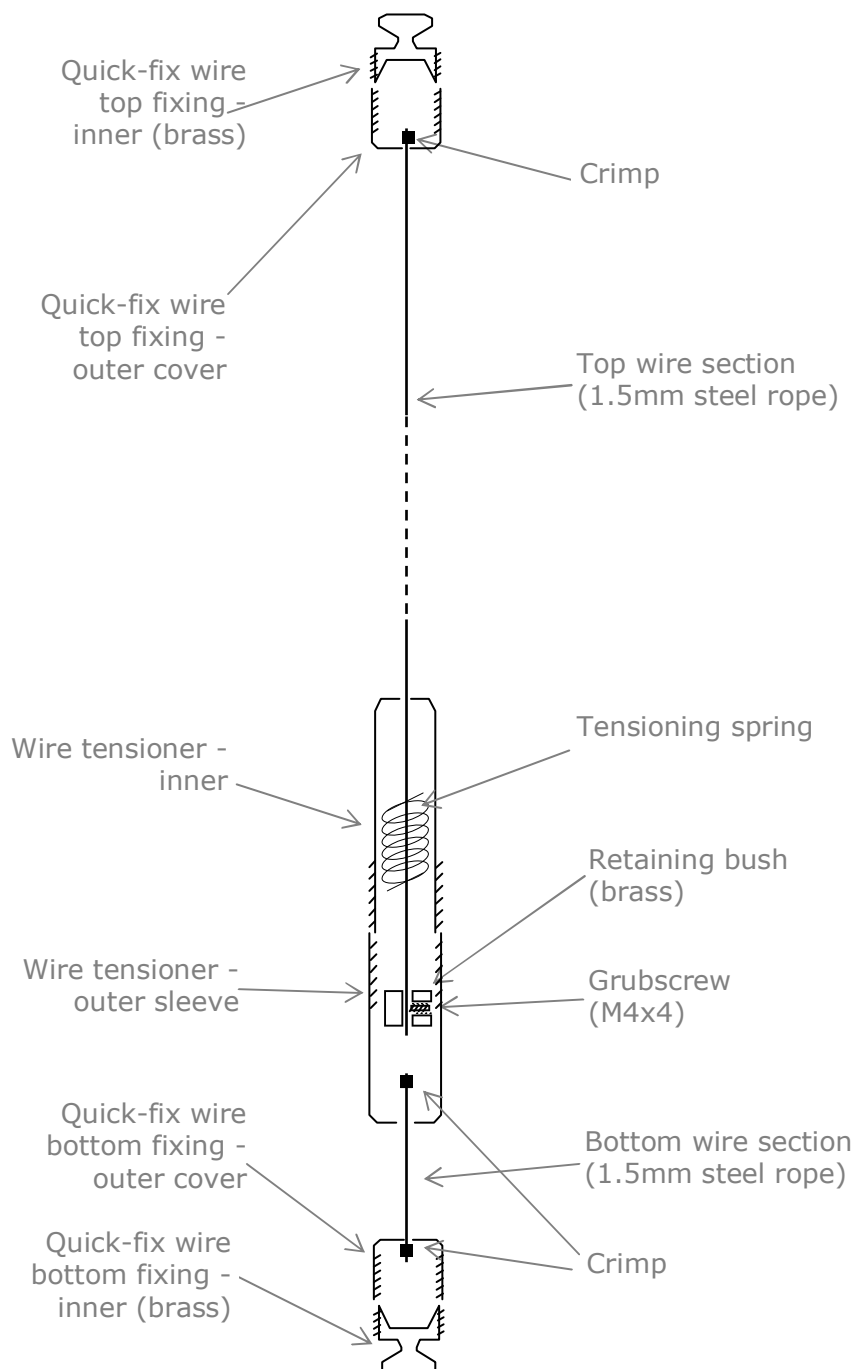


PF2: Free standing frames with suspended 'snap' frames

FIXING INSTRUCTIONS - QUICK-FIX SUSPENDED WIRES

Quick-fit fixings slide into aluminium channel and can be secured in place by positioning appropriately then tightening up (by hand).

NOTE that all weight of a suspended display is supported by the top fixings.



Quick-fit fixings slide into aluminium channel and can be secured in place by positioning appropriately then tightening up (by hand)

NOTE that the lower fixing anchors the display, but does not support any of its weight

1. Use the table on page 4 to find the distance apart that the centres of the wires should be to suit your 'snap' frames.

2. Use a pencil to lightly mark the required positions for the wires on the top and bottom cross-bars.

For each wire:

3. Slide the top and bottom brass inner fixings along the channel in the cross-bars to the marked positions.

4. Screw the outer cover back on to the inner top and bottom fixings (with the crimped end of the cable inside). Tighten by hand to secure in the marked position.

5. Unscrew the wire tensioner.

6. Loosen the brass bush at the bottom of the wire by partly unscrewing the grub screw (using the allen key supplied), so that the bush can slide up the wire.

7. Pull the top & bottom wires taut, then position the brass bush so that the top of the bush is in line with the top of the outer sleeve of the wire tensioner.

8. Tighten bush in position (using allen key) then cut off any excess wire.

9. Screw the wire tensioner back together.

10. (Repeat steps 3 - 10 until all wires have been fitted).

NOTE: Position of wires can always be adjusted by unscrewing slightly and sliding along channel.

PF2: Free standing frames with suspended 'snap' frames

FIXING INSTRUCTIONS - Suspended 'snap' frames

SNAP FRAMES ARE SUPPLIED WITH WIRE FIXINGS READY ATTACHED

1. Remove the grub screws from the narrow slot in the clamps attached to the backs of the 'snap' frames.
2. Position the snap frames between the wires, and screw the grub screws back into the clamps to fix them loosely in position, but still allowing the frames to slide.
3. Slide the snap frame(s) to the required position and tighten the clamps on to the wires on one side.
4. Use a spirit level to ensure that the snap frame is horizontal, then tighten the grub screws to secure the holder to the wire on the other side.
5. Repeat until all snap frames are in place.

WIRE CENTRES FOR SUSPENDED SNAP FRAMES

| POSTER HOLDER SIZE | A5 landscape A4 portrait | A4 landscape A3 portrait | A3 landscape A2 portrait | A2 landscape A1 portrait | A1 landscape A0 portrait |
|--------------------------|--------------------------------|--------------------------------|--------------------------------|--------------------------------|--------------------------------|
| WIDTH OF POSTER | 210mm | 297mm | 420mm | 594mm | 841mm |
| CENTRES FOR WIRES | 222mm | 309mm | 432mm | 606mm | 853mm |