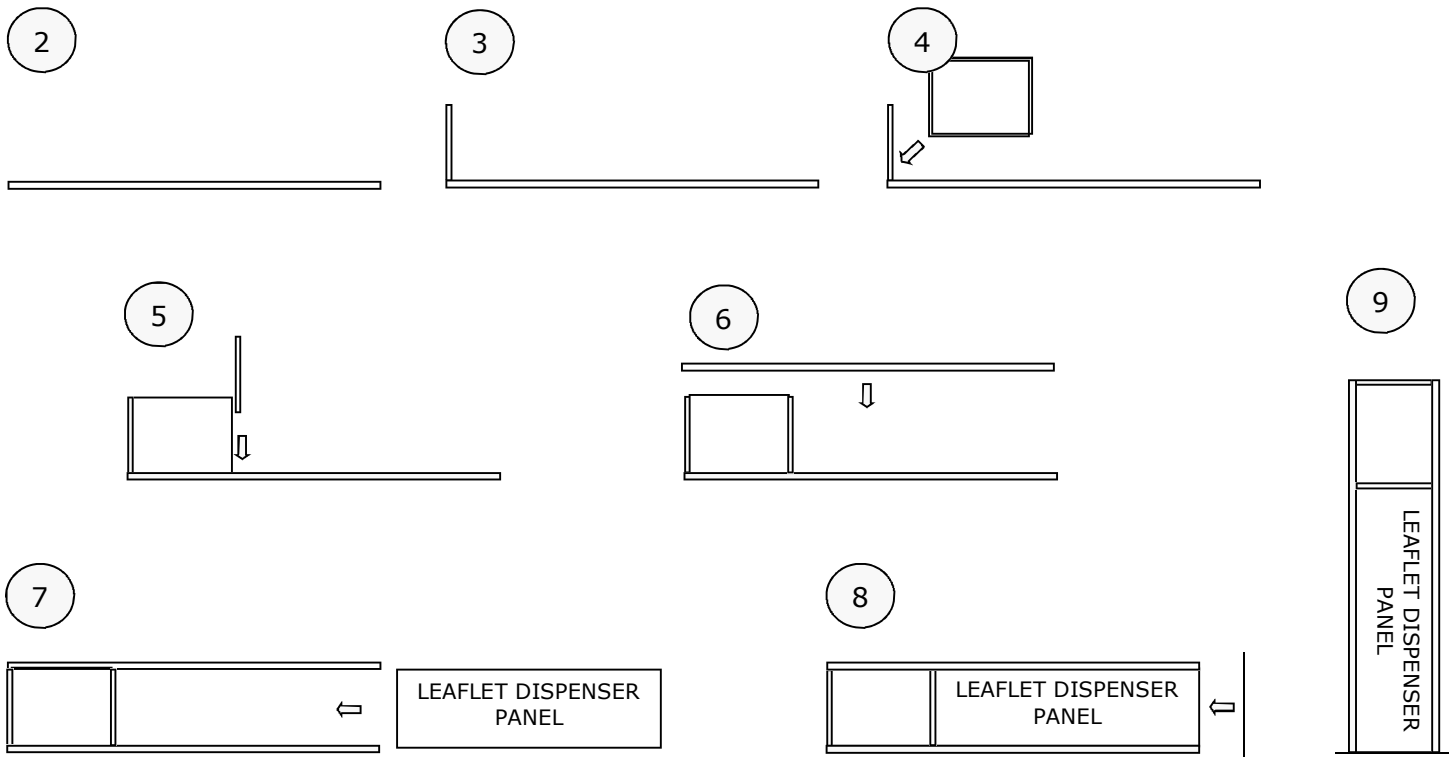


## LF8: Leaflet dispenser panels on panels in free standing frames

### ASSEMBLY INSTRUCTIONS

*(NOTE: Assembly is simpler with 2 people!)*

1. Remove the protective cover sheets from the acrylic panels.
2. Lay one post horizontally on a flat surface with one of the channels uppermost.
3. Fix one cross-bar (see overleaf) at the very end of the post.
4. Place two of the acrylic panels (with a poster between them) so that they are held within the channels of the upright and the cross-bar.
5. Place the second cross-bar so that it encloses the bottom of the sandwich panels and tighten to fix in position.
6. Place the second post in position, ensuring that it completely encloses the acrylic sandwich, then tighten the cross-bar locks to hold securely in position.
7. Slide the leaflet dispenser panel into the channels.
8. Fix the base to the posts (see overleaf).
9. Stand display up and push end caps into tops of posts.
10. (To change a poster, remove the top cross-bar, slide out the acrylic sandwich panels, insert new poster(s) between the acrylic panels, replace panels then replace cross-bar)

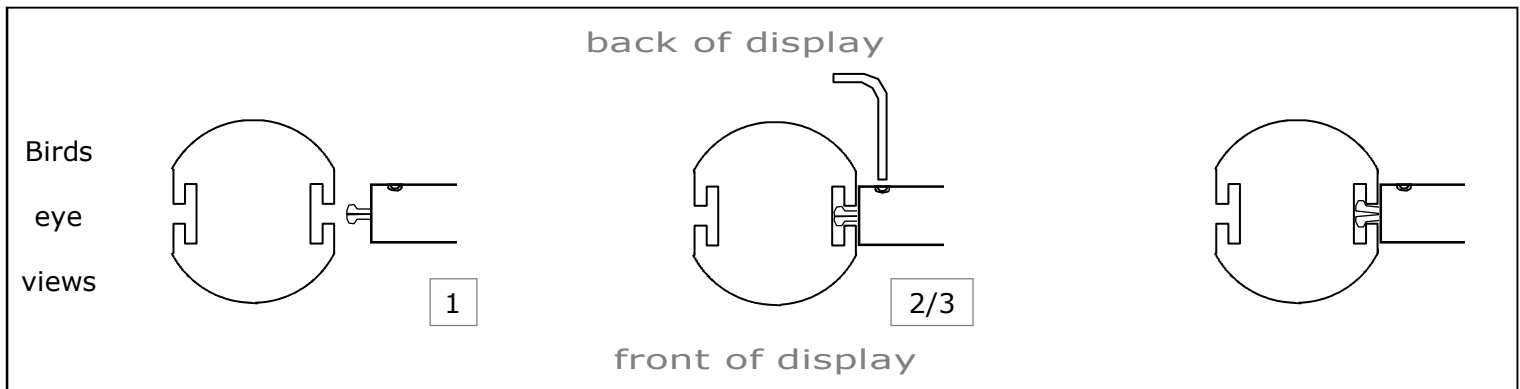


## LF8: Leaflet dispenser panels on panels in free standing frames

### ASSEMBLY INSTRUCTIONS

#### FIX CROSS-BAR TO POST

1. Ensure that parts of lock in end of cross-bar are 'together'
2. Position lock in post so that cross-bar is in desired position
3. Use allen key to tighten lock so that lock opens and cross-bar is held securely in place



#### FIX BASES TO POSTS

1. Undo spigot (remove bolt)
2. Put bolt through weighted base plate from underside
3. Part-screw rectangular fitting (comes split diagonally into two parts) back on to bolt
4. Place rectangular part of fitting inside base of post (opposite end to angled plate)
5. Tighten bolt using large allen key supplied (to lock post securely to base).

